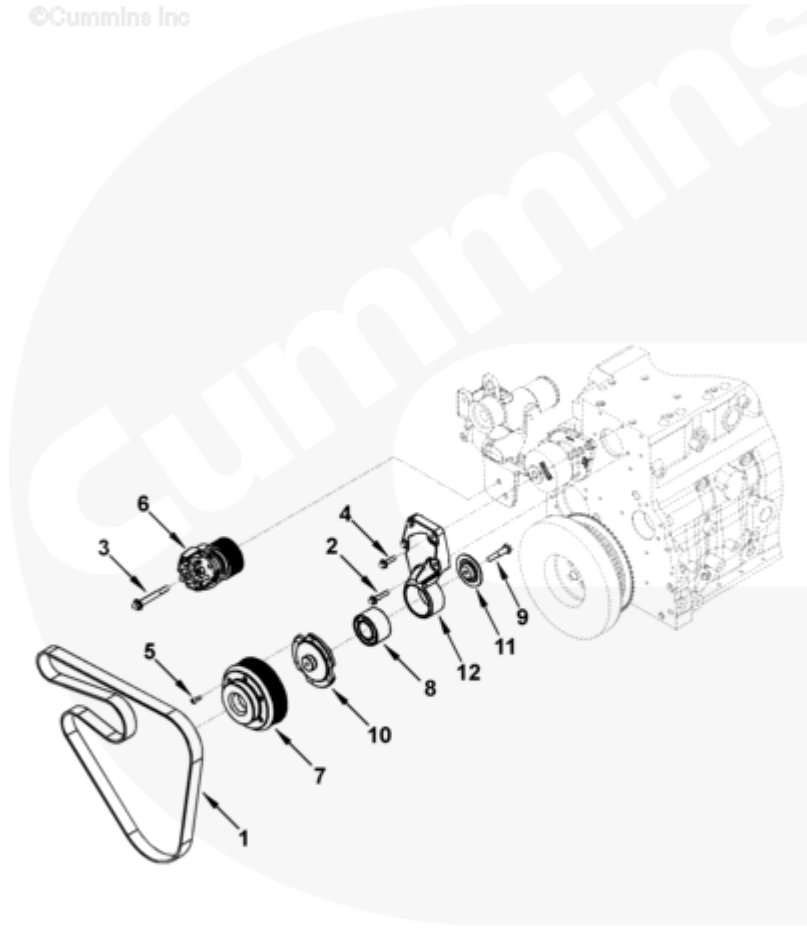




Parts Catalog - Option Detail

| Electronic Parts Catalog - Option Detail | | | | |
|--|---|---------|-----------|-----------|
| Option | Group | Graphic | Film Card | Date |
| WP9136-02 | 08.01 | wp902zj | T | 10-AUG-04 |
| Engines | 4B3.9, 6A3.4, 6B5.9, B GAS INTERNATIONAL CM556, B4.5, B4.5 CM2350 B129B, B4.5 CM2350 B146C, B4.5 CM2350 B147B, B4.5 RGT, B4.5S, B5.9 G, B5.9 GAS PLUS CM556, B5.9 LPG, B5.9 LPG PLUS CM556, B6.7 CM2350 B121B, B6.7 CM2350 B135B, B6.7 CM2350 B136C, B6.7 CM2350 B148B, B6.7 G CMOH6.0 B125, B6.7N CM2380 B150B, B6.7S, F3.8 CM2350 F120B, F3.8 CM2350 F128C, F3.8 CM2350 F132B, F3.8 F102, G3.9, G5.9, G5.9 CM558, ISB (CHRYSLER), ISB CM2150, ISB CM2150 E, ISB CM550, ISB CM850, ISB/ISD4.5 CM2150 B119, ISB/ISD4.5 CM2150 SN, ISB/ISD6.7 CM2150 B120, ISB/ISD6.7 CM2150 SN, ISB/ISD6.7 CM2880 B126, ISB3.9 CM2220 B107, ISB4.5 CM2150, ISB5.9G CM2180, ISB6.7 2010 DCX PICKUP, ISB6.7 2013 DCX CHASSIS CAB, ISB6.7 CM2150 SQ, ISB6.7 CM2250, ISB6.7 CM2350 B101, ISB6.7 CM2350 B103, ISB6.7 CM2350 B142, ISB6.7 CM2670 B153B, ISB6.7 G CM2180 B118, ISBE CM2150, ISBE CM800, ISBE2/ISBE3 CM850, ISBE4 CM850, ISD4.5 CM2150, ISD6.7 CM2880 D101, ISF2.8 CM2220, ISF2.8 CM2220 AN, ISF2.8 CM2220 EC, ISF2.8 CM2220 ECF2, ISF2.8 CM2220 F101, ISF2.8 CM2220 F117, ISF2.8 CM2220 F122, ISF2.8 CM2220 F126, ISF2.8 CM2220 F129, ISF2.8 CM2220 IAN, ISF3.8 CM2220, ISF3.8 CM2220 AN, ISF3.8 CM2220 F103, ISF3.8 CM2220 F110, ISF3.8 CM2220 F116, ISF3.8 CM2220 F134B, ISF3.8 CM2220 IAN, ISF3.8 CM2350 F109, ISF4.5 CM2220 F123, ISG11 CM2880 G106, ISG11 CM2880 G108, ISG12 CM2880 G107, ISG12 CM2880 G109, ISG12 G CMOH6.0 G111, QSB3.9 30 CM550, QSB3.9 CM2880 B138, QSB4.5 30 CM550, QSB4.5 CM2150 B108, QSB4.5 CM2250 B131, QSB4.5 CM2250 EC, QSB4.5 CM2350 B106, QSB4.5 CM2350 B122 | | | |



wp902zj

[SMALL](#) | [MEDIUM](#) | [LARGE](#)

| Cart | Ref No | Part Number | Part Description | Required | Remarks |
|------------------------------|--------|---------------------------|------------------|----------|---|
| View My Cart | | | | | |
| | | WP9136-02 | Water Pump Drive | | Water Pump Drive...(More) |
| | | | | | Engine Family: "B" Series |
| | | | | | Belt Length (mm): 1632 |
| | | | | | Belt Type: Poly V 8 Rib K |
| | | | | | Crank Pulley Diameter Over |
| | | | | | 2.5mm Balls (mm): 175.13 |
| | | | | | Tensioner Pulley Diameter |
| | | | | | Over 2.5mm Balls (mm): 73.95 |
| | | | | | Tensioner Pulley Type: |

| | | | | | |
|--------------------------|----|-------------------------|-------------------------------|---|-------------------------------|
| | | | | | Grooved |
| | | | | | Water Pump Pulley |
| | | | | | Diameter (mm): 76.2 |
| | | | | | Water Pump Pulley Type: |
| | | | | | Smooth |
| | | | | | Alternator Pulley Diameter |
| | | | | | Over 2.5mm Balls (mm): 61.13 |
| | | | | | #1 Idler Pulley Diameter Over |
| | | | | | 2.5mm Balls (mm): 135.24 |
| <input type="checkbox"/> | 1 | 3975127 | V Ribbed Belt | 1 | |
| <input type="checkbox"/> | 2 | 3900678 | Hexagon Flange Head Cap Screw | 1 | M8 X 1.25 X 40. |
| <input type="checkbox"/> | 3 | 3900679 | Hexagon Flange Head Cap Screw | 1 | M10 X 1.50 X 80. |
| <input type="checkbox"/> | 4 | 3902114 | Hexagon Flange Head Cap Screw | 3 | M8 X 1.25 X 30. |
| <input type="checkbox"/> | 5 | 3906391 | Socket Head Cap Screw | 6 | M6 X 1.00 X 16. |
| <input type="checkbox"/> | 6 | 3973827 | Belt Tensioner | 1 | |
| <input type="checkbox"/> | 7 | 3968953 | Accessory Drive Pulley | 1 | |
| <input type="checkbox"/> | | 3968956 | Fan Support | 1 | |
| <input type="checkbox"/> | 8 | 3910739 | Ball Bearing | 1 | |
| <input type="checkbox"/> | 9 | 3946377 | Hexagon Head Cap Screw | 1 | M10 x 1.50 x 50 |
| <input type="checkbox"/> | 10 | 3947211 | Fan Hub | 1 | |
| <input type="checkbox"/> | 11 | 3949701 | Fan Hub Retainer | 1 | |
| | 12 | 3968955 | Fan Support | 1 | |